

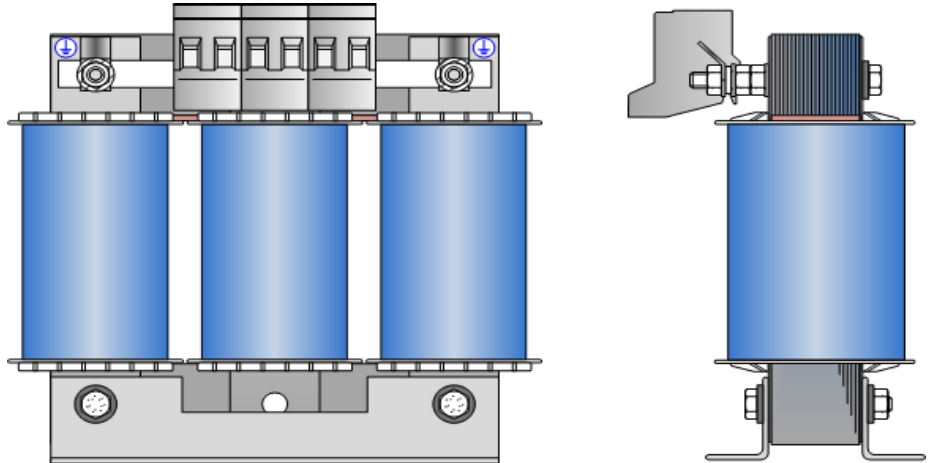
Industrieweg 6
6245 HW Eijsden
Nederland

Telefoon +31 - (0)43 - 361 94 91

www.jaspertransformatoren.nl
info@jaspertransformatoren.nl
K.v.K. Z-Limburg 14625609

Driefasen netsmoorspoel

Spanning ≤ 3x690V±5%
Bescherming IP00
T_{omgeving} 40°C
Isolatieklasse E/F
Frequentie 50/60 Hz
Beschermingsklasse I
Normering EN 61558-2-20



Type	Rating	Inductie	Artikel-nummer	Spanningsbereik	Verliesvermogen	Gewicht in kg	B (mm)	H (mm)	D (mm)	E (mm)	F (mm)	Ø (mm)
SND006H010	6A	10mH	5000.0049	≤ 3x690V	16W	1.6	120	115	66	90	38	4.8
SND009H004	9A	4.2mH	5000.0050	≤ 3x690V	15W	2	120	115	66	90	38	4.8
SND013H003	13A	2.5mH	5000.0041	≤ 3x690V	16W	2.1	120	115	66	90	38	4.8
SND019H002	19A	2mH	5000.0072	≤ 3x690V	24W	3.2	150	157	90	113	49	5.8
SND026H001	26A	1.4mH	5000.0073	≤ 3x690V	27W	3.6	150	157	90	113	49	5.8
SND036H001	36A	1mH	5000.0074	≤ 3x690V	33W	6	180	185	95	136	55	8
SND050H800	50A	0.8mH	5000.0043	≤ 3x690V	42W	9	180	225	90	136	66.5	6.9
SND070H550	70A	0.55mH	5000.0076	≤ 3x690V	50W	10	204	245	93	136	67	7.7
SND090H400	90A	0.4mH	5000.0071	≤ 3x690V	59W	12.5	228	285	95	176	72	9
SND110H300	110A	0.3mH	5000.0077	≤ 3x690V	65W	16	240	295	97	185	70	11
SND125H270	125A	0.27mH	5000.0040	≤ 3x690V	87W	22	240	310	117	160	80	11
SND160H225	160A	0.225mH	5000.0078	≤ 3x690V	104W	18	240	240	120	160	80	11
SND200H175	200A	0.175mH	5000.0079	≤ 3x690V	113W	19	240	240	130	160	90	11
SND240H150	240A	0.15mH	5000.0080	≤ 3x690V	145W	23	240	240	150	160	110	11
SND280H125	280A	0.125mH	5000.0081	≤ 3x690V	138W	24	240	240	150	160	110	11
SND330H090	330A	0.09mH	5000.0082	≤ 3x690V	138W	24	240	240	150	160	110	11
SND430H075	430A	0.075mH	5000.0083	≤ 3x690V	174W	28	300	285	130	200	90	11
SND480H065	480A	0.065mH	5000.0084	≤ 3x690V	176W	32	300	285	145	200	103	11
SND530H055	530A	0.055mH	5000.0085	≤ 3x690V	179W	35	300	285	145	200	103	11
SND660H045	660A	0.045mH	5000.0086	≤ 3x690V	197W	45	360	350	140	240	115	13
SNDM10H030	1000A	0.03mH	5000.0087	≤ 3x690V	242W	60	360	350	140	240	115	13
SNDM15H020	1500A	0.02mH	5000.0088	≤ 3x690V	320W	87	420	400	210	320	130	17
SNDM20H020	2000A	0.012mH	5000.0089	≤ 3x690V	400W	110	480	450	220	360	140	17
SNDM25H012	2500A	0.012mH	5000.0089	≤ 3x690V	400W	120	480	450	220	360	140	17